



Internet Pool Group

Phone 888-277-POOL

Fax 863-467-5750

Email sales@ipoolgroup.com

**Oval Shape Measuring
Instructions & Form**

All Liner Prices are quoted on the accurate measurements you provide and your selected pattern.

Please read all instructions before you attempt to begin measuring.

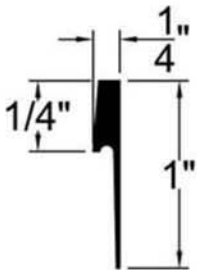
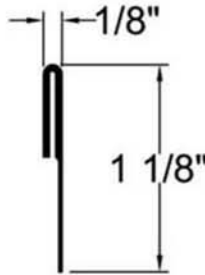
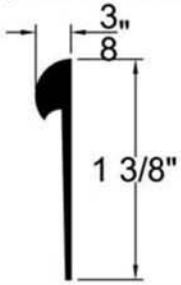
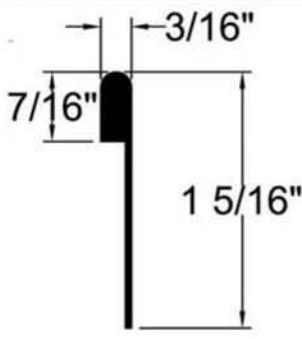
Tips to Make the Job Easier

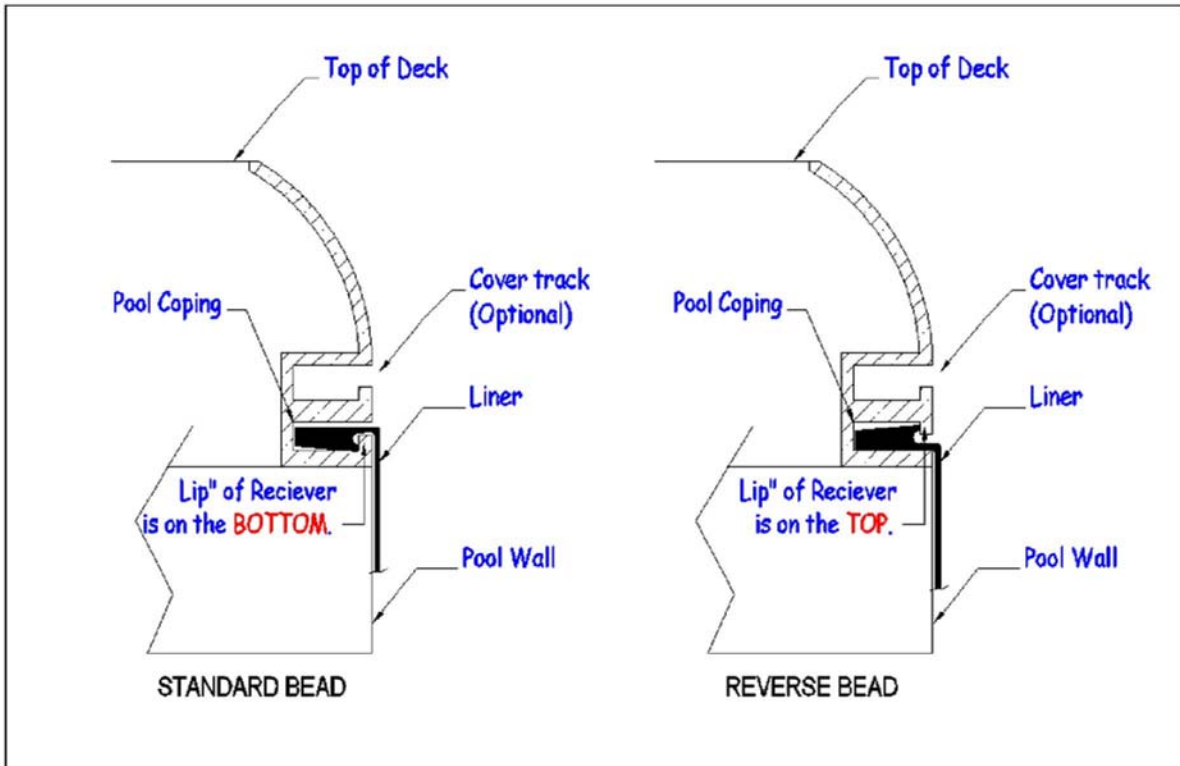
- ✓ Draining your pool will make the measuring process easier; however, it is not required. Most measurements can be easily taken from outside of the pool.
- ✓ Measuring your pool will be easier if you have another person helping you.
- ✓ Write your measurements legibly, using BLACK INK. (No Pencil or Felt-Tip marker).
- ✓ Keep your original measuring sheets after you have entered your measurements online. You will need to refer to your copies if we have questions regarding your measurements.
- ✓ Actual pool measurements should be made even if original pool plans are available due to the fact that slight variances may have occurred during construction. The builder may not have followed the pool plan precisely.
- ✓ When measuring the pool, do not make allowances for weather conditions, temperature, or the fact that vinyl shrinks and expands. These allowances are made for you in our production process.
- ✓ Please supply all measurements in feet and inches and round them up to the nearest whole inch. (i.e. where you have a measurement of 6 feet and 2.4 inches, you will round that measurement up to 6 feet and 3 inches).
- ✓ These measurements must be completed in order for your pool liner to fit properly. Measuring now will save you expensive headaches later.
- ✓ Follow these instructions carefully, referring to all diagrams to ensure accurate measurements.

Measuring Instructions

Step 1: Bead Type

The "Bead" is the plastic piece on the edge of your liner that holds the liner to the coping. With Equator, you have a very broad range of bead choices. Have a look at how your bead liner fits into your coping, match it to the diagrams below, and check off the closest match from the diagrams on the first page of the measuring form.

<p>INGROUND STANDARD</p> 	<p>ABOVEGROUND & ONGROUND OVERLAP "CLIP" WILKES</p> 
<p>INGROUND ROUND (KAFKO POSI-LOCK)</p> 	<p>ONGROUND & INGROUND E/W</p> 



A **Standard Reverse Bead** is characterized by how it fits into the coping. It does so differently than a "standard" liner. It will look exactly like a standard bead, the only difference is how it fits into the coping as per the above diagram.

Step 2: Corner Type

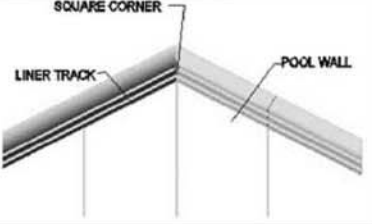
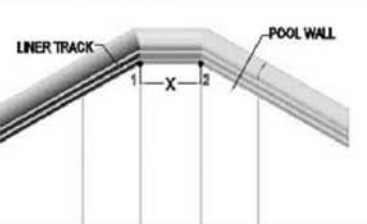
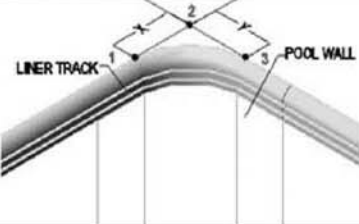
Refer to *Section 1* to select the corner type on your pool. Record your corner type and the measurements indicated on Page 1 of the Measuring Form.

If you have more than one type of corner on your pool, fax a diagram of your pool to Internet Pool Group at 863-467-5750 showing where the different corners are, what type of corners they are and what the measurements are. Indicate on your internet order that you will be faxing this diagram through in the "Comments" section. If your corner types all match, proceed with the order as-is.

Section 1

Measuring With Corners

Choose your corner type from these illustrations. Remember to indicate your corner type on Page 1 of the Measuring Form and to provide the required measurements.

Square Corner	Cut Corner	Radius Corner
		
<p>No additional measurements are required. Select "90 Degree" corner on Page 1 of the Measuring Form.</p>	<p>Cut corners must be measured. Refer to the above diagram to correctly measure your Cut corners.</p>	<p>Point 1 – Imaginary Corner where sidewalls would meet if they extended to make a square corner. Point 2 – Break in the Curve of the Corner</p>
	<p>Record this measurement for "Cut Corners" on Page 1 of the Measuring Form. Point 1 to Point 2: _____</p>	<p>Record this measurement for Radius Corners on Page 1 of the Measuring Form: Point 1 to Point 2: _____</p>

Step 3: Measure the Length (A) and Width (B)

Be sure that the length (A) and the width (B) measurements are made at the BEAD RECEIVER (where the liner snaps into the track), NOT at the edge of the coping (the edge of the pool deck). Record your measurements in the "Dimensions" section of Page 1 of the measuring form where the fields are marked "A" and "B".

Step 4: Measuring Shallow End Covered Bottoms

Refer to Section 2 to determine if you have a Shallow End Covered Bottom.

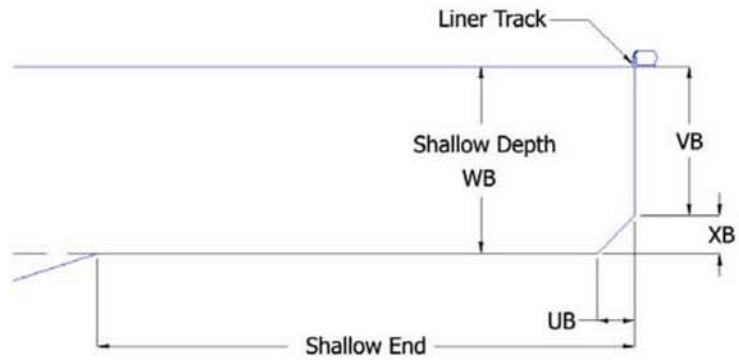
If you have a Shallow End Covered Bottom, follow the four easy steps in Section 2 to take measurements UB, VB, WB, and XB.

Enter these measurements on Page 3 of the Measuring Form.

If you do not have a Shallow End Covered Bottom, proceed to Step 6.

Section 2
Shallow End Covered Bottom

Step A: Measure the depth (WB) of the shallow end of your pool. Be sure to measure from the bottom of the pool floor to the bead receiver (for beaded liners) OR to the board where the liner is nailed/stapled (for overlap liners). DO NOT measure to the top of the pool if you have a beaded liner, your measurement will be incorrect.



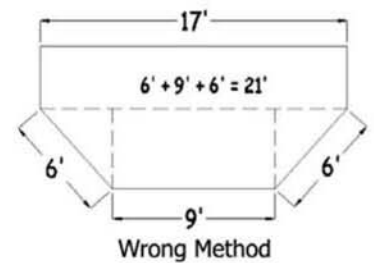
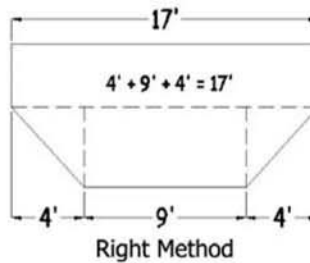
Step B: Measure from the bead track (beaded hung liners) or from top of the pool (overlap hung liners) down to where the cove (VB) begins. Subtract (VB) from (WB) to determine (XB).

Step D: If the cove along the sidewall differs from the end wall cove, please notate on separate paper and include with the measuring form.

Step C: With a pole, locate the spot where the cove meets the floor. Use a carpenter's level along the pole to verify that the pole is vertical. Measure from the pool wall to the pole to determine (UB).

Attention!

Be sure that (UB) is a horizontal measurement; do not measure the slope of the cove. We only use measurements parallel to the deck. See the diagrams to the right for the correct way to measure a coved bottom.



Step 5: Continue Measuring according to your diagram

Refer to the diagram on the measuring form and fill in all of the requested boxes. You will be asked to enter these measurements online in order to determine the cost of your replacement liner.

Step 6: Measuring P & R On an Oval

These measurements are meant to take the proper outside measurement of the circumference of the perimeter. To start the measurement, you always start from the straight to curved panel joint, and to finish, you measure to the opposite straight to curved panel joint.

There are 2 different ways to do this properly:

1. Using flexible measuring tape, duct taping the measuring tape in place once every few inches.
2. Using a "walking wheel", take the measurement several times (not just once or twice) and take the average of all measurements.

Step 7: Vinyl Covered Step Sections

If your pool has a built-in step section that is covered with vinyl, you must complete Page 2 of the Measuring Form also. Included is a form for round steps – if you have any other kind of step contact NPW for the proper measuring form.

Step 8: Indicate Liner Pattern & Mil

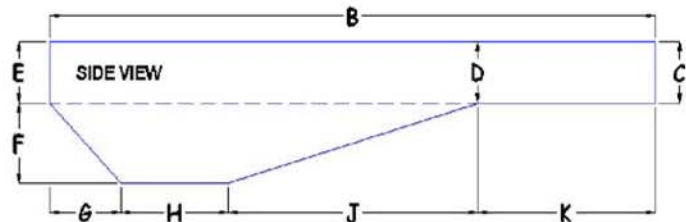
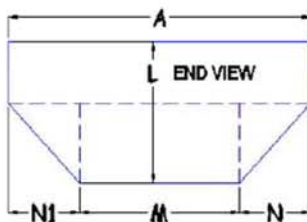
Choose your liner pattern and corresponding Mils.

Step 9: Horizontal Measurements of Pool Bottom and Depth Measurements

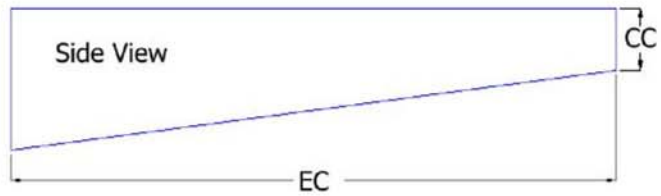
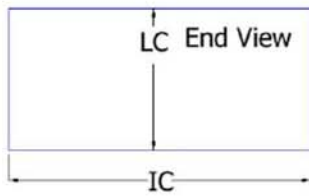
Bottom Contour

Choose the bottom contour of your pool from the illustration below to determine which measurements you will need to take. If you have anything but a standard hopper, please use the provided space on Page 3 of the measuring form.

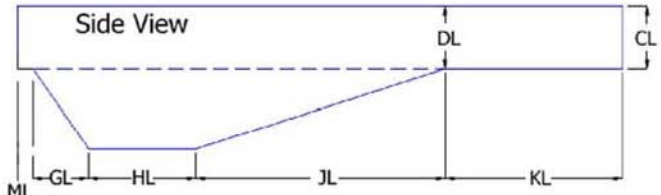
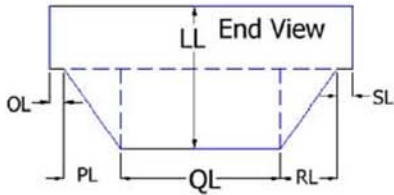
When looking at the below diagrams, the end view is as if you are in the deep end of the pool looking towards the shallow end.



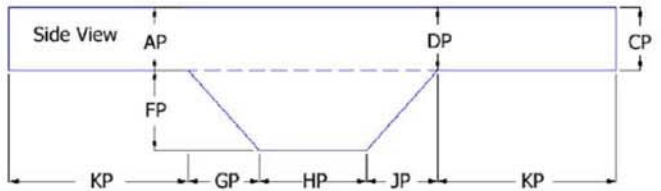
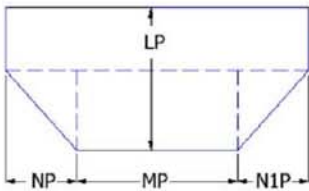
Standard Hopper



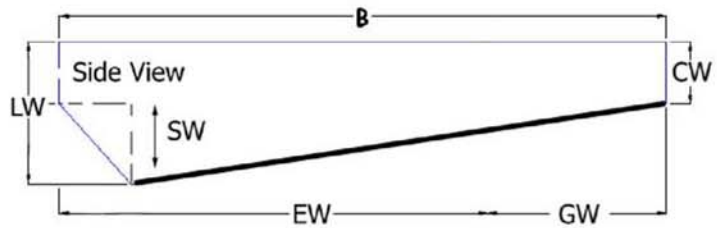
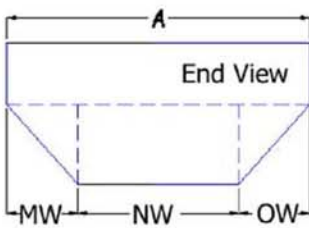
Constant Slope



Standard Hopper
With Safety Ledge



Sport Profile



Wedge

How Do I Measure the Bottom of My Pool?

You will be able to make horizontal measurements of your pool bottom without entering the pool. Taking these measurements is easier than you may think when you use this measuring tool.

You Will Need:

1. A long straight pole
2. String attached to one end of the pole

3. Some sort of weight tied to the other end of the string
4. A measuring tape

Follow the instructions below, using your "fishing pole", to make these measurements.

Horizontal Bottom Measurements:

Use your "fishing pole" to "fish" for a point on the bottom of the pool. With the pole parallel to the ends of the pool and the string vertical (allow no slack in the string), measure the distance from the edge of the pool (water's edge) to the end of the pole where string is attached. You should "fish" for points that will achieve the desired measurements based on the bottom contour of your pool (pictured above).

For example, to take measurement (H) on a Standard Hopper, you would stand on one side of the pool, and "fish" for a corner of the Hopper. You would then measure the distance from the edge of the pool (water's edge) to the end of the pole where the string is attached.

Depth Measurements:

When taking the depth measurements (ie C and L on a Standard Hopper), be sure to measure from the bottom of the pool floor to the bead receiver (for beaded liners) OR to the board where the liner is nailed or stapled (for overlap liners). Do not measure to the top of the pool if you have a bead receiver, your measurement will be incorrect.

If you have a Standard Bottom Contour, enter your measurements in the space provided on Page 1 of the Measuring Form. If you have any of the other bottom contours, enter your measurements in the space provided on Page 3 of the measuring form.

Review & Double-Check the Following:

- ✓ $H + J + K + G$ must equal B for a Standard Hopper (B is the length of pool taken in Step #4)
- ✓ $N1 + M + N$ must equal A for a Standard Hopper (A is the width of pool taken in Step #4)
- ✓ $EW + GW$ must equal B for a Wedge (B is the length of pool taken in Step #1)
- ✓ $MW + NW + OW$ must equal A for a Wedge (A is the width of pool taken in Step #4)
- ✓ $OL + PL + QL + RL + SL$ must equal A for Safety Ledge (A is the width of pool taken in Step #4)
- ✓ $ML + GL + HL + JL + KL$ must equal B for a Safety Ledge (B is the length of pool taken in Step #4)
- ✓ $KP + GP + HP + JP + KP$ must equal B for a Sport Profile
- ✓ $NP + MP + N1P$ must equal A for a Sport Profile

Please note that the majority of these measurements will be checked in the online order form, and the order will not be allowed to proceed if they are incorrect, so it is best to double-check these items during your measuring session.

Step 10: Slopes

If your slopes look as pictured in the diagrams of each bottom contour, just check off "Standard". If they are concave or convex, pick the proper bottom contour diagram (standard is on Page 1 of the measuring form, all non-standard are on Page 3) draw in the concave or convex slopes on that diagram, and fax it along to us after placing your online order, or scan and e-mail it separately referencing your quote or order number.

Step 11: Shallow End Break-Off Stripe

Do you want a White Stripe which separates the shallow end from the deep end? Just check off yes or no on your form. There is an added cost which will be quoted to you at the time of your order/quote.

Step 12: Pool Perimeter

This is the sum total of measurements O, P, Q, and R. Just total them and fill it in on the measuring form. There is room in the online form for feet and inches, or total inches, whatever you prefer. P and R are obtained with flexible measuring tape – have a friend hold the tape and tack it down with duct tape once every few feet to get a precise measurement.

Step 13: Review your Form

- ✓ Make sure that you have completed all of the measurements – we can't create your new liner without even one of these measurements. The online form will also not allow you to proceed with a quote or order without all of them.
- ✓ Did you "guess" at any measurements? If so, go back and measure them, as this almost definitely will result in you getting a liner that won't fit correctly.